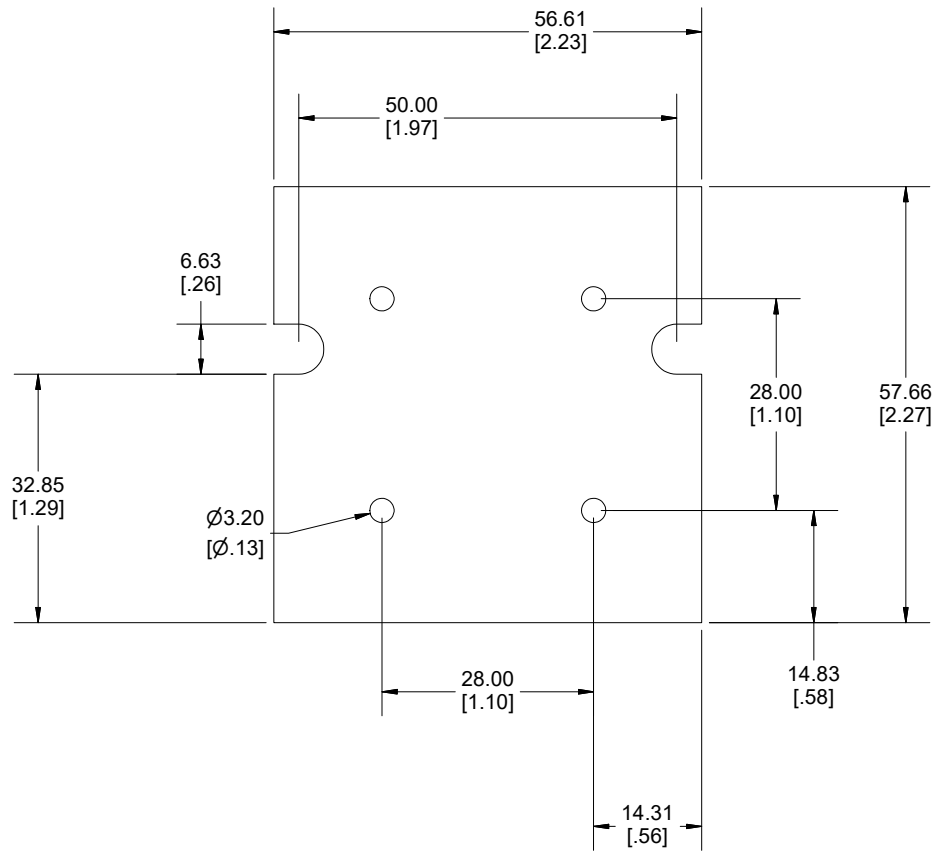


Enclosures can be Factory Modified (Milling, Drilling, Printing etc.)  
Contact Factory (modshop@hammfg.com) for quotes  
Solid models of this enclosure available in .stp or .x\_t  
(Part number and text placement/orientation on our products are subject to change,  
we do not recommend using them as a locating reference for modification purposes)

<b>NOTE</b>	
Enclosure molded from GP ABS (UL94-HB) plastic. Purchased assembly includes top and bottom cover, 4 plastic panels for front and rear (2 types - flat and contoured) and 2 cover screws.	
<b>Recommended Torque: Cover screws - 40 cN-m [57 ozf-in] Internal mounting screws - 20-30 cN-m [29-42 ozf-in]</b>	
<b>1593</b>	
<b>1593K Regular Enclosure</b>	
Black Enclosure	1593KBK
Grey Enclosure	1593KGY
Translucent Blue Enclosure	1593KTBU
<b>ACCESSORIES</b>	
Cover Screws #4 X 3/4" Self-Tapping (100 Pkg)	1593QS100 (Silver) 1593QS100BK (Black)
P.C. Board Screws #4 X 1/4" Self-Tapping	1593ATS50 (Pkg 50) 1593ATS100 (Pkg 100)
Nylon Belt Clip	1599CLIP (Black) 1599CLIPGY (Grey)
1593K STD FLAT PANEL (SINGLE PANEL)	Black 1593PL1BK-10
	Grey 1593PL1GY-10
	Translucent Blue 1593PL1TBU-10
	Infrared 1593PIR10
1593K STD CONTOURED PANEL (SINGLE PANEL)	Aluminum 1593PAL10
	Black 1593PL2BK-10
	Grey 1593PL2GY-10
	Translucent Blue 1593PL2TBU-10

Dimensions:  
mm  
[inches]

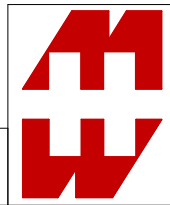
**HAMMOND  
MANUFACTURING®**  
**1593K**  
www.hammondmfg.com



**MAX RECOMMENDED PCB SIZE**

*(NOT SUPPLIED WITH ENCLOSURE,  
NOT AVAILABLE FOR PURCHASE)*

Dimensions:  
mm  
[inches]



**HAMMOND  
MANUFACTURING.**  
DESIGN RESOURCE  
1593K PCB  
[www.hammondmfg.com](http://www.hammondmfg.com)