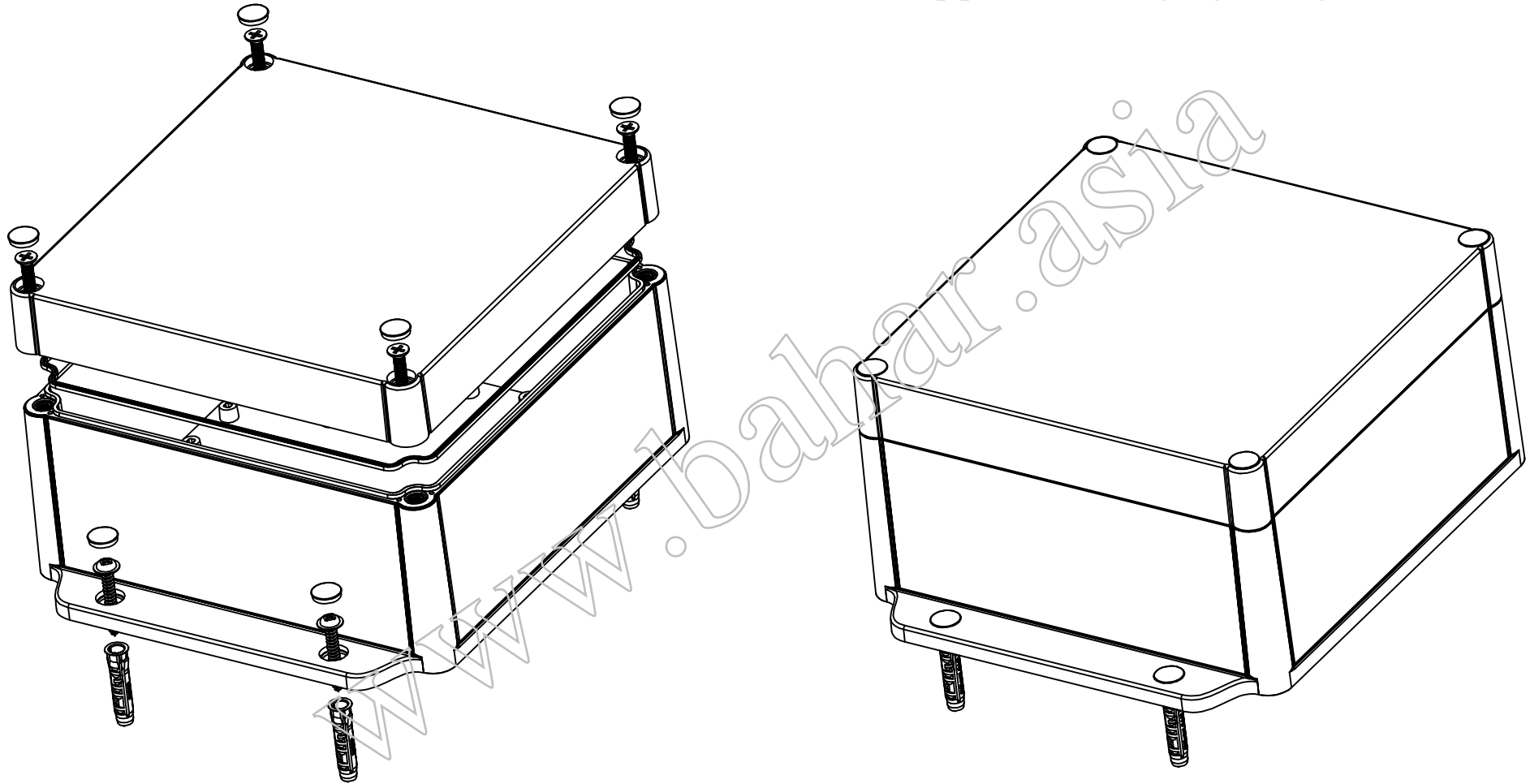
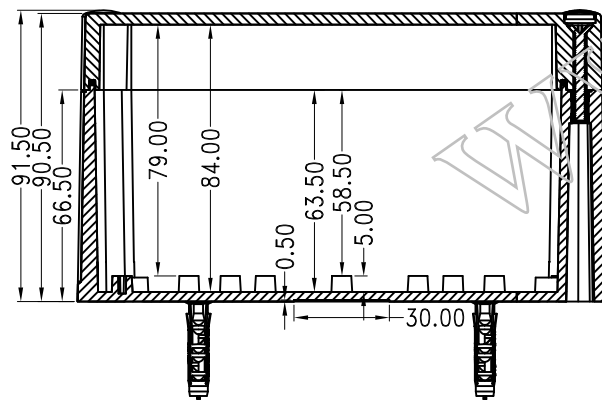
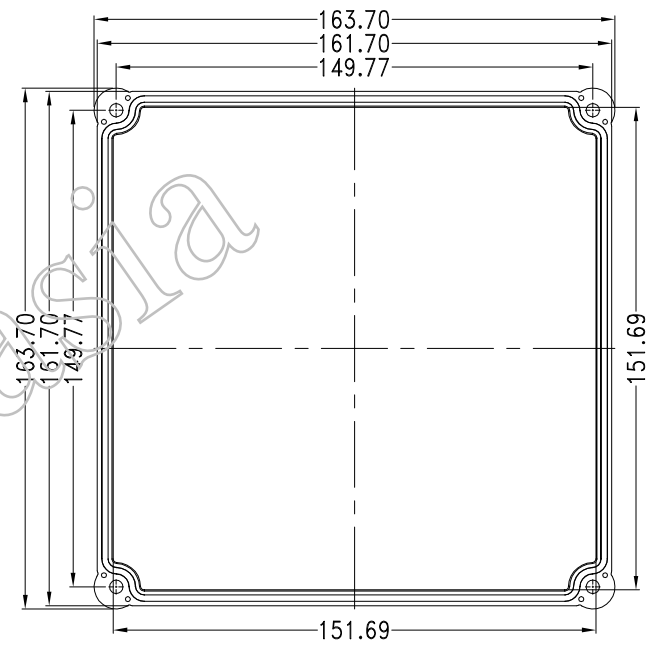
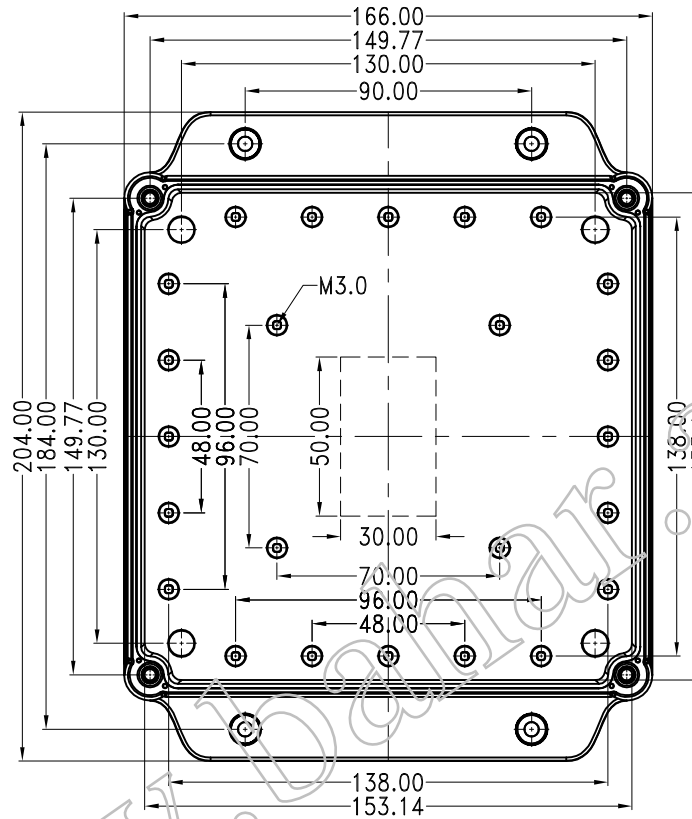
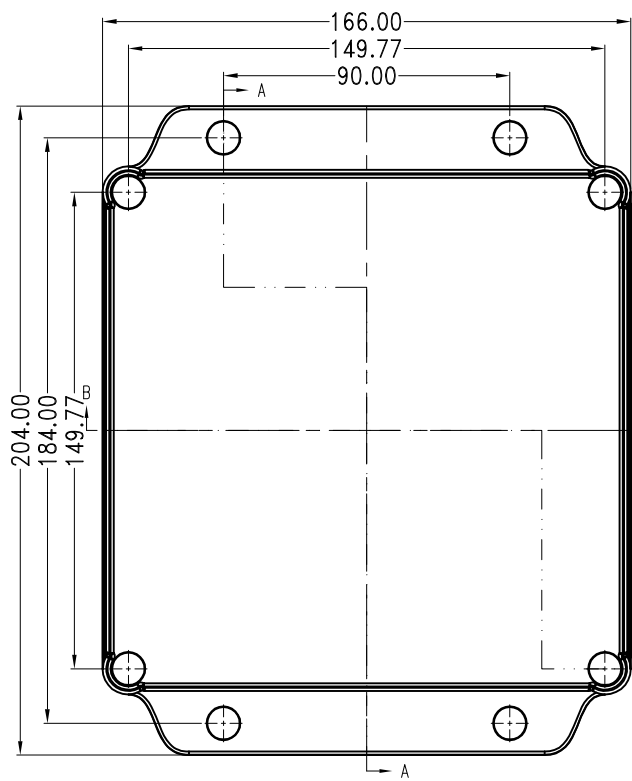
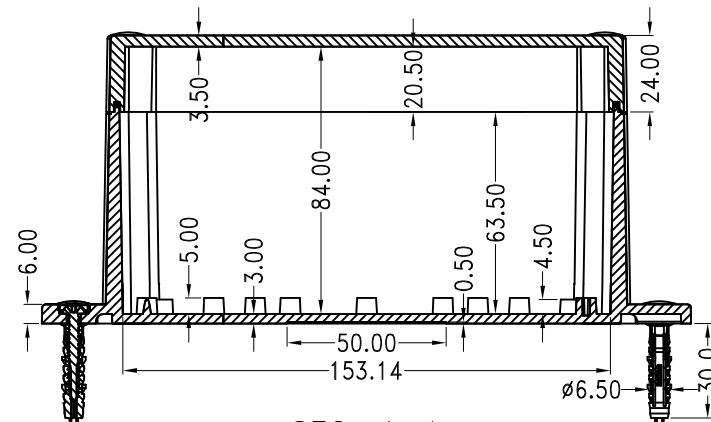


BWP 10023





SEC: B-B



SEC: A-A